

CARMEL FIRE PROTECTION ASSOCIATES  
Box 7168  
Carmel-by-the-Sea, California 93921  
Telephone (408) 624-8303

PLAN CHECK LIST

JOB NUMBER: 7044  
JOB NAME: Point Pinos Lighthouse  
LOCATION: Lighthouse & Asilomar  
AHJ: Pacific Grove Fire Department

---

*NOTE: This plan check is for fire protection systems only. Any other fire department plan review functions (location and spacing of portable fire extinguishers, lock box requirements, etc) are the responsibility of the AHJ listed above.*

Fire Alarm System

**These plans are acceptable as submitted. See notes below.**

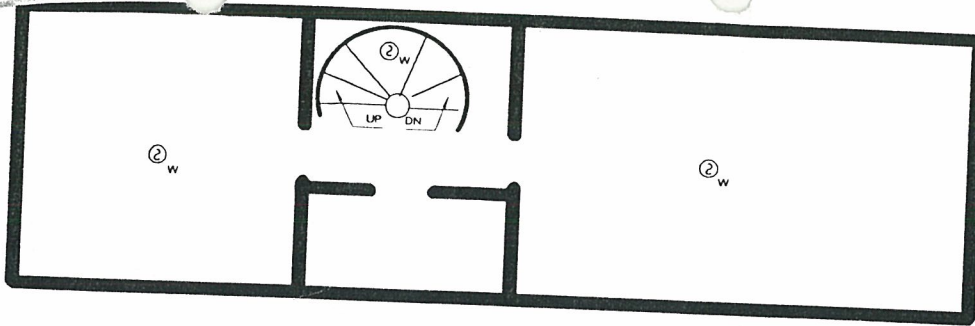
NOTE: All applicable requirements of NFPA-72 are inherently included in this plan check.

1. Proof of application for UL Central Station Certification to be provided to Fire Marshal Dave Brown at or prior to time of acceptance testing.
2. Monterey County Fire Alarm System Record to be completed at or before time of acceptance testing and provided to Fire Marshal Dave Brown (EPROM Version #, location of circuit).
3. Acceptance testing required prior to placing system into operation. Please contact Fire Marshal Dave Brown at 648-3110 for inspection appointment, allow at least 48 hours advance notice for all inspections.

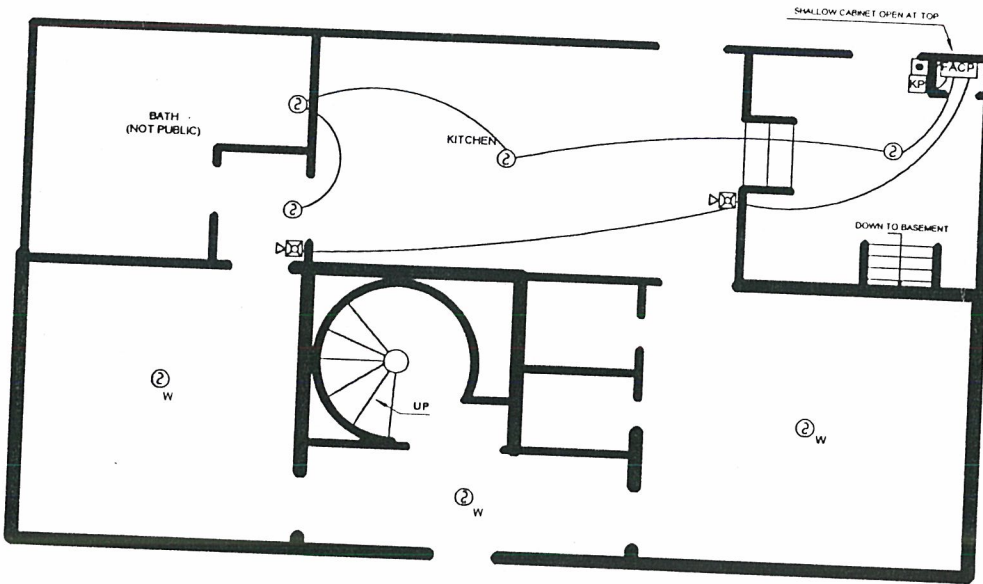
END OF PLAN CHECK

BY:  \_\_\_\_\_

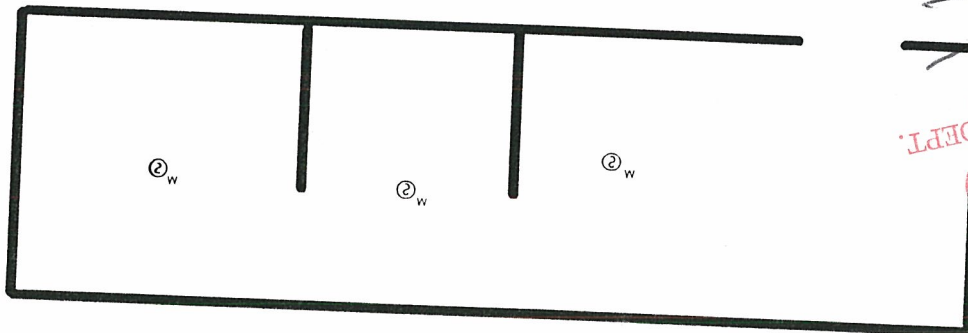
DATE: 05/11/97



2<sup>nd</sup> FLOOR



FIRST FLOOR



BASEMENT

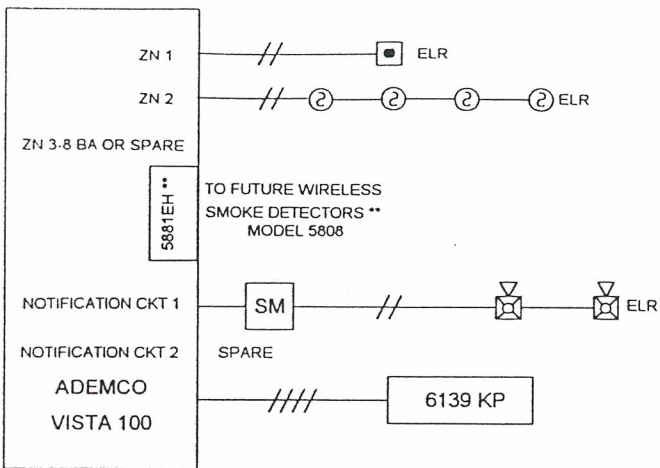
MAY 13 1997

*David Brown*

PACIFIC GROVE FIRE DEPT.  
**APPROVED**

NOTES

1. \*\* THE 5881EH RECEIVER AND THE 5808 WIRELESS SMOKE DETECTOR ARE CURRENTLY UL LISTED, AND HAVE BEEN SUBMITTED TO CSFM FOR LISTING. WHEN THESE DEVICES HAVE RECEIVED THEIR CSFM LISTINGS, A COPY OF THE CUT SHEET AND LISTING SHEET WILL BE SUBMITTED TO THE AHJ, WHEN APPROVED, THEY WILL BE INSTALLED IN THIS SYSTEM AS SHOWN
2. MANUAL PULL STATION TO BE MOUNTED AT 48" TO TOP.
3. HORN STROBES TO BE MOUNTED AT 80" TO BOTTOM.



VOL TAGE DROP CALCULATIONS

NOTIFICATION CIRCUIT N1

LOCATION	D DISTANCE IN FEET	I DEVICE CURRENT IN AMPS	TOTAL CURRENT IN AMPS	V VOLTAGE DROP IN VOLTS
FACP SYNC MODULE	2	0.025	0.655	0.017
N1-1	20	0.315	0.630	0.164
N1-2	30	0.315	0.315	0.123

TOTAL VOLTAGE DROP	0.287
VOL TAGE AT LAST DEVICE	11.713
PERCENTAGE DROP AT LAST DEVICE	2.39%

WIRE SIZE USED	18
SYSTEM VOLTAGE	12
RESISTANCE R	0.0065

WIRE SIZE	RESISTANCE IN OHMS / FT
10	0.0010
12	0.0016
14	0.0026
16	0.0041
18	0.0065

VOLTAGE DROP = 2 x D x R x I

DESCRIPTION	QTY	UNIT STANDBY		UNIT ALARM	
		CURRENT IN AMPS	CURRENT IN AMPS	CURRENT IN AMPS	CURRENT IN AMPS
CONTROL: ADEMCO VISTA 100					
COMMON CONTROL	1	0.3000	0.3000	1	0.4700
5140DLM	1	0.0050	0.0050	1	0.0150
6139 KEYPAD	1	0.1000	0.1000	1	0.1000
5881EH WIRELESS RECEIVER**	1	0.0500	0.0500	1	0.0500

DEVICES:					
DESCRIPTION	QTY	UNIT STANDBY		UNIT ALARM	
		CURRENT IN AMPS	CURRENT IN AMPS	CURRENT IN AMPS	CURRENT IN AMPS
SYSTEM SENSOR 2100 SMOKE DET	4	0.0003	0.0010	4	0.0000
WHEELock SM12/24 SYNC MODULE	1	0.0000	0.0000	1	0.0250
WHEELock AS-121575 HORN STROBE	2	0.0000	0.0000	2	0.3410
	0	0.0000	0.0000	0	0.0000
	0	0.0000	0.0000	0	0.0000
	0	0.0000	0.0000	0	0.0000

TOTAL CURRENT 0.4560 AMPS 1.3420 AMPS

STANDBY REQUIREMENTS (HRS)	24 HRS	10.9440 AH	5 MIN	0.1118 AH
TOTAL STANDBY REQUIRED + 10% DERATING		12.2 AH		
BATTERY TO BE SUPPLIED		14 AH		
RESERVE CAPACITY		1.8 AH		

\* CURRENT INCLUDED IN COMMON CONTROL ALARM CURRENT

- FACP = FIRE ALARM CONTROL PANEL (FACP) ADEMCO VISTA 100, CSFM # 7165-0078:174
- = MANUAL PULL STATION ADEMCO 5140MPS-1, CSFM # 7150-0078:169
- 2 = SMOKE DETECTOR SYSTEM SENSOR 2100, CSFM #7272-1209:159
- 2<sub>w</sub> = WIRELESS SMOKE DETECTOR \*\* SEE NOTES
- = HORN/SPEAKER WITH STROBE WHEELock AS-121575, CSFM # 7125-0785:131
- SM = SYNC MODULE WHEELock SM12/24R, CSFM #7300-0785:132
- KP = REMOTE KEYPAD ADEMCO 6139 OR6139R, CSFM #7300-0078:166

*David Brown*  
4/18/97

<b>Sentry</b> ALARM SYSTEMS	SCALE: 1/8" = 1' 0"	PT. PINOS LIGHTHOUSE
	DATE: 4-18-97	
SENTRY ALARM SYSTEMS 8 THOMAS OWENS WAY MONTEREY, CA 93940 (408)375-2727 - FAX (408)372-4308	BY: JCE	FIRE ALARM PLAN
	REVISED: 5-8-97	